

ZAXIS-3 series Short rear-end swing version

HITACHI

ZAXIS 225 USRLC



HYDRAULIC EXCAVATOR

- **Model Code** : ZX225USRLC-3
- **Engine Rated Power** : 122 kW (164 HP)
- **Operating Weight** : ZX225USRLC-3 : 22 700 - 23 900 kg
- **Backhoe Bucket** : SAE, PCSA Heaped: 0.51 - 1.20 m³
CECE Heaped: 0.45 - 1.00 m³

The Power to Perform

The ZAXIS-3 series is a new generation of excavators designed to provide more efficient power, productivity and improved operator comfort. By listening carefully to the wishes of the end-user, HITACHI not only understands your business, but also provides the reliable solutions you've been looking for.

NEW AND IMPROVED

- **Performance:**
 - 12 % higher production
 - 1.99 m rear-end swing radius
 - 7 % more stability than New ZAXIS 210 (ZX210-3)
- **Comfort:**
 - Excellent visibility
 - Enhanced controllability
 - Lower noise level
- **New equipment:**
 - Standard rear view camera
 - Standard theft deterrent system
- **Reduced running costs:**
 - Lower fuel consumption per m³
 - Improved durability and reliability



Productivity

Short rear-end swing
New E-mode
New hydraulic system HIOS III
Hydraulic boosting system
Enhanced boom recirculation system
New electronic controlled diesel engine
Page 4-5

Operator comfort

Superior visibility inside cab
Short stroke levers
Wide foot space
Comfort designed seat
Improved controlability and operator comfort
Page 6-7

Multi function monitor

Maintenance support
Attachment support system
Rear view camera
Theft deterrent system
Fuel consumption monitoring
Page 8-9

Durability and reliability

Strengthened undercarriage
Strengthened X beam
Improved idler brackets
Strengthened front attachment
Page 10-11

Maintenance

Parallel arrangement of the cooling pack
Conveniently located inspection points
Page 12-13

Safety measures

CRES II cab
Cab right protection bars
Pilot control shut-off lever
Engine shut-off switch
Page 14

Environment measures

Array of low noise mechanisms
Ecological design
Page 15

Parts & service

Page 16-17

Specifications

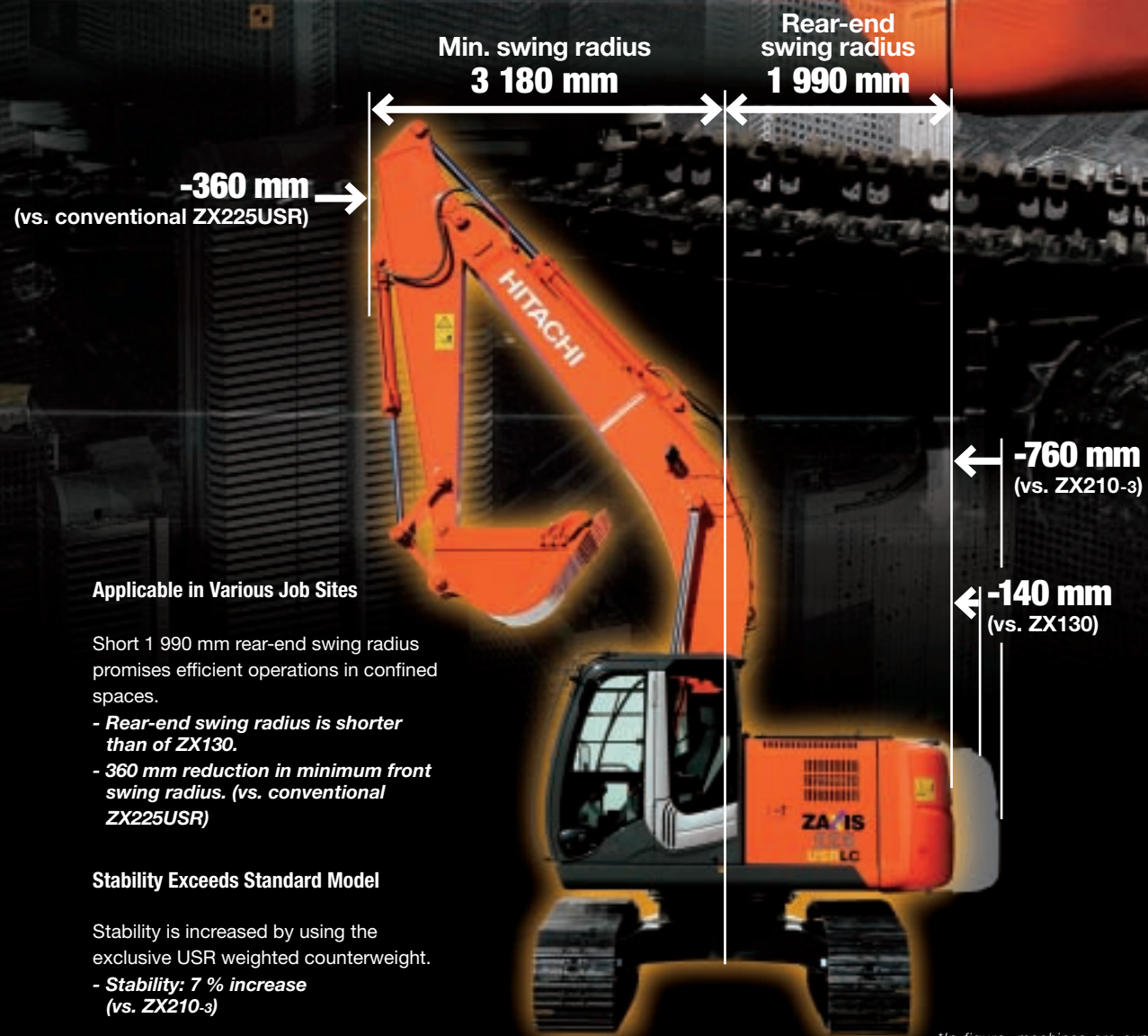
Page 18-23

- **The new engine complies with the Emission Regulations EU Stage III A, and U.S EPA Tier 3**
- **The advanced low noise design complies with the coming EU noise regulation 2000 / 14 / EC, STAGE II**



Boosted Productivity

Short rear-end swing makes efficient operations possible in various confined worksites. New hydraulic system HIOS III and new OHC 4-valve diesel engine were developed for ZAXIS-3. These advanced technologies are at work to yield bigger output with higher fuel efficiency.



Applicable in Various Job Sites

Short 1 990 mm rear-end swing radius promises efficient operations in confined spaces.

- Rear-end swing radius is shorter than of ZX130.
- 360 mm reduction in minimum front swing radius. (vs. conventional ZX225USR)

Stability Exceeds Standard Model

Stability is increased by using the exclusive USR weighted counterweight.

- Stability: 7 % increase (vs. ZX210-3)

*In figure, machines are expressed by model codes for presentation.

More production, less fuel consumption

Increased Production

A combination of the hydraulic system (HIOS*III) and new OHC** 4-valve engine allows the efficient use of hydraulic pressure to increase speeds of actuators and boost production with higher fuel efficiency. The productivity is increased 12 % in comparison to previous model ZAXIS-1.

*Human & Intelligent Operation System

**OverHead Camshaft

New E-mode

The new E mode, H/P mode and P mode can be selected to suit job needs. The new E mode can save fuel consumption by up to 13 % compared to the previous model's P mode, while yielding similar production.

Increase in Swing Torque

Swing torque is increased significantly.
-Swing torque 13 % UP

Efficient hydraulic control - HIOS III

ZAXIS-1 adapted HIOS II hydraulic system that is suitable for fine controllability by the operators. Continuously HITACHI developed new advanced hydraulic technology HIOS III for ZAXIS-3. In addition to the fine controllability this new system increases the efficiency of hydraulic circuit and increases speed of actuators.

The Hydraulic Boosting System

In arm roll-in and boom raise operation, excess pressurized oil is delivered from boom cylinder rod side to arm cylinder bottom side to increase flow rate giving 20 % higher arm roll-in speed. Excess pressurized oil from boom cylinder rod side is delivered to arm cylinder bottom side through a regenerative valve to increase flow rate for productive operation.

Enhanced Boom Recirculation System

In combined operation of boom lower and arm, pressurized oil from boom cylinder bottom side is delivered to boom cylinder rod side, assisted by boom weight, for boom lowering. At the same time, pressure oil from the pump is delivered to the arm cylinder for arm movement. This mechanism allows an increase of speed in combined operation of 15 %.

Development concept of new engine

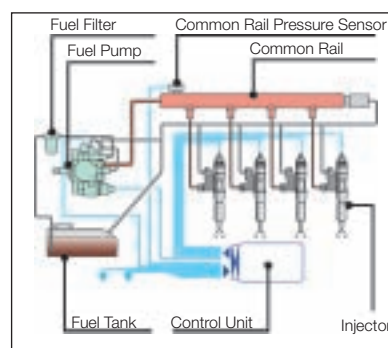
OHC 4-Valve Engine

The new OHC 4-valve diesel engine is developed and built to comply with the rigorous Emission Regulations enforced in 2006 in U.S. and EU. This new engine contributes to environmental preservation. At the same time it realizes high durability and low fuel consumption by adapting the latest advanced engine technology.



Common Rail Type Fuel Injection System

Electronic control common rail type fuel injection system drives an integrated fuel pump at an ultrahigh pressure to distribute fuel to each injector per cylinder through a common rail. This enables optimum combustion to generate big horsepower, and reduce PM* (diesel plume) and fuel consumption.

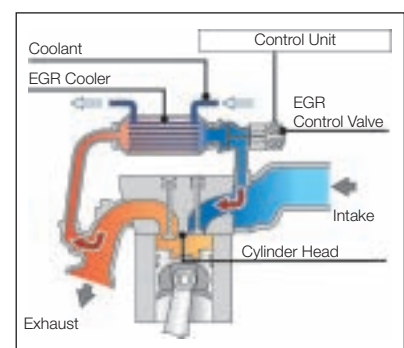


Cooled EGR** System

Exhaust gas is partially mixed with intake air to lower combustion temperature for reducing NOx and fuel consumption. What's more, the EGR cooler cools down exhaust gas to increase air concentration for complete combustion, reducing PM* (diesel plume).

*Particulate Matter

**Exhaust Gas Recirculation



A New Standard in Operator Comfort

The operator's seat of the ZAXIS-3 series gives the operator an excellent view of the jobsite. On the widescreen color LCD monitor the operator can see machine conditions. Ample legroom, short stroke levers and a large seat ensure optimum working conditions for the operator during long hours.



The ZAXIS-3 series cab has been redesigned to meet demands of customers. From the operator's seat the operator has an excellent view of the jobsite. On the widescreen color LCD monitor the operator can see machine conditions and with the rear view camera, what is behind the machine. Ample legroom, short stroke levers and a suspension seat with heating ensure optimum working conditions. The seat features horizontal, vertical adjustments and has a backrest contoured for comfort, with a HITACHI logo.



Wide adjustable armrests and a retractable seat belt are included. Short stroke levers allow for continuous operation with less fatigue. Three switches on the lever (optional) can be set to operate attachments other than buckets. The cab is pressurized to keep out dust. Noise and vibrations are kept to a minimum due to the elastic mounts, filled with silicone oil, the cab rests on.

Visibility is improved especially for the right downward view. Sliding windows on the front and side enable direct communication between operator and other workers.

Travel pedals have been redesigned for easier operation.

A flat floor allows for easy cleaning. Ergonomic controls and switches, fully automatic air conditioner and a radio complete the package.

Embedded Information Technology

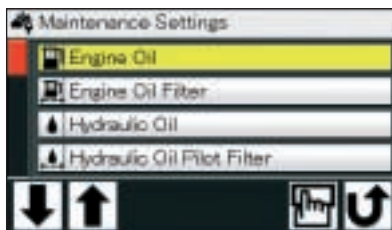
The ZAXIS-3 series is equipped with a widescreen color LCD monitor with adjustable contrast for day and night shifts. With the monitor the operator can check maintenance intervals, select work modes, monitor fuel consumption, and connect to the rear view camera. A theft deterrent system and multi-language selection is also available.

Multi function monitor



The color LCD monitor, located in the cab, indicates coolant temperature, fuel level, and maintenance data. It also allows one-touch adjustment of the attachment. The display can also be adjusted to day or night shift.

Maintenance support



Replacement timing of hydraulic oil and fuel filters is alerted to the operator through the LCD monitor according to the schedule preset by the user each time when turning the key switch. The scheduled maintenance can prevent the failure of the machine.

Attachment support system (work mode selector)



When replacing the attachment, oil flow adjustment can automatically be done by one touch on the work mode selection display on the LCD monitor. Minor adjustments of oil flow is possible if necessary.

Multi-language selection



The menu allows selection from 12 languages.





Rear view camera



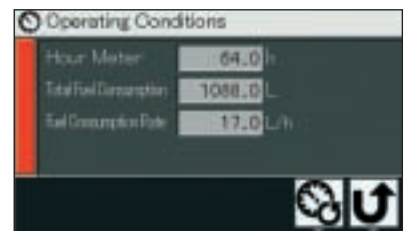
The widescreen color LCD, teamed up with the rear view camera on the counterweight, gives the operator unobstructed rearward viewing. The rear view camera automatically works when traveling, and can also be manually turned on with a select switch on the monitor.

Theft deterrent system



The electronic immobiliser requires the entry of an encryption code to the multifunctional monitor each time when starting the engine to prevent theft and vandalism.

Fuel consumption monitoring



Fuel consumption per operating hour is computed, and the result is displayed on the LCD monitor. This information suggests refuelling timing, and guides energy-saving operation and efficient job management.

A Solid Base for a Long Life

HITACHI's technology is built on a wealth of experience and know-how from limestone sites and quarries around the world. The undercarriage of the ZAXIS 225USRLC has become much stronger. Improved construction and enlarged box sections, a track undercover plate that protects the center joint and hydraulic hoses make this machine more durable.



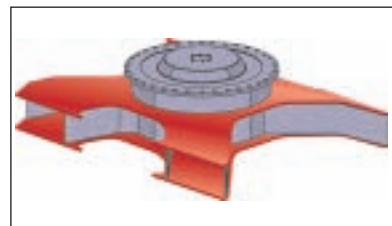
Strengthened undercarriage

Upper rollers and upper roller brackets are increased in size for higher durability. Track links are thickened and reshaped for higher durability and rigidity.



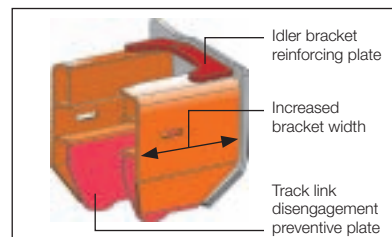
Strengthened X beam and side frames

The X-beam is strengthened by the improved construction and enlarged box sections. The section is increased in strength up to 35 % (maximum). Top and bottom plates of the X-beam use monolithic plates, instead of conventional welded four plates. This eliminates welding to strengthen the X-beam.



Improved idler brackets

The idler bracket reinforcing plate is thickened greatly for higher durability to prevent the opening of the idler bracket. The track link disengagement preventive plate, located immediately behind the idler bracket, extends its top to prevent track link disengagement and increase durability.

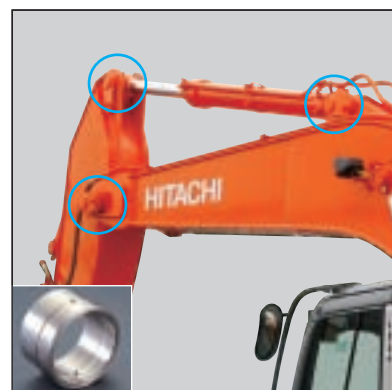


Strengthened front attachment

The boom top bracket is strengthened by using high-tensile steel. At arm-bucket joint, the arm top is hardened with WC thermal spraying (Tungsten-Carbide) for greater wear resistance at its contact surface with bucket, reducing jerking. Reinforced resin thrust plates designed to reduce noise and resist wear.

The new HN bushings, containing “solid molybdenum-based lubricant”, are utilized at the boom-arm joint and arm cylinder mounting area for better lubrication and higher durability. (At other joints, conventional HN bushings are also utilized.)

The boom foot is enlarged for higher strength. This improvement increases the durability and reliability under heavy-duty operation.



WC Thermal spraying



Reinforced resin thrust plates

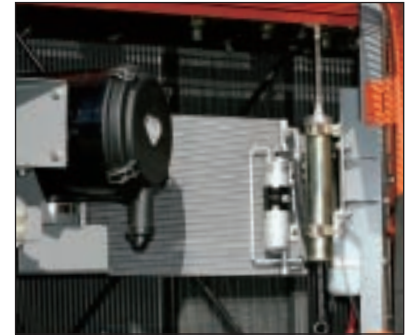
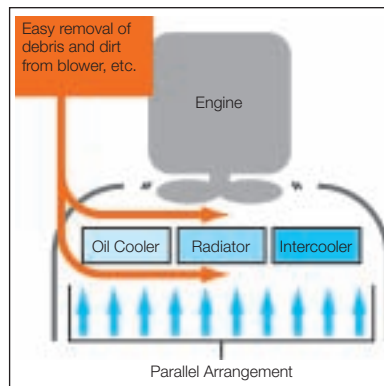
Simplified Maintenance

The ZAXIS-3 series meet customer demands for simplified maintenance. Regular maintenance is the key for keeping equipment in top condition, which can help to prevent costly downtime. In addition, a regularly serviced machine has higher residual value. There are many service features to be found on the ZAXIS-3 series.



Parallel arrangement of the cooling pack

The oil cooler, radiator and intercooler are laid out in a parallel arrangement, instead of the conventional in-line arrangement. This parallel arrangement is significantly easier to clean around the radiator.



Conveniently located servicing points

Doors give access, from ground level, to the fuel filter and water separator. A large handrail, steps and anti-skid plates lead to the engine cover. The engine oil pan is fitted with a drain coupler. When draining, an associated drain hose is connected to the drain coupler. The drain coupler is reliable, avoiding oil leakage and vandalism. High-performance fuel double filters are provided to reduce downtime due to the clogging of the engine fuel line. The electric pump with strainer is provided for stable fuel suction.



Extended oil and filter change intervals

Front Pin Lubricating Intervals and Consumables Replacement		New ZAXIS 225USRLC
Lubricant	Bucket	500 h
	Boom Foot	500 h
	Front	500 h
Consumables	Engine Oil	500 h
	Engine Oil Filter	500 h
	Hydraulic Oil	5 000 h
	Hydraulic Oil Filter	1 000 h
	Fuel Filter	500 h

The oil and filter change intervals have been extended considerably, reducing maintenance time and expenses. Engine oil consumption is lower. Hydraulic oil can be used up to 5 000 hours.

Safety Features

Ensuring the safety of the operator and other workers on the jobsite is an important concern for HITACHI. That is why the ZAXIS-3 series has a number of safety features including a new reinforced cab and shut-off mechanisms for engine and pilot controls.

CRES II cab

The CRES II cab is designed to help with “just in case” protection for the operator. Safety in case of tipping is improved. The structure of the cab offer 2.5 times more impact resistance than previous models with the upper side rails absorbing up to 200 mm deformation.

withstanding load : 2.5-fold increase

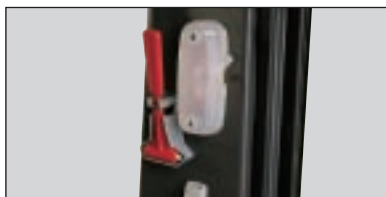


Additional features

Cab right protection bars



Evacuation hammer



Engine shut-off switch



Pilot control shut-off lever



OPG top guard, level II



(optional)

Retractable seat belt



Other features include a retractable seatbelt, evacuation hammer and emergency engine shut-off switch. A shut-off lever for pilot control helps to prevent unintentional movements. In addition, a Falling Object Protective Structure (OPG top guard, level II) guard is optionally available. For the cab windows there is a choice of laminated or tempered glass.

Environmental Features

HITACHI takes its responsibility when it comes to the environment. Our production facilities have ISO 14001 certification. The HITACHI machine is lead free and has a low-noise design, therefore HITACHI customers get one of the most environmentally considerate hydraulic excavators available today.



A cleaner machine

The ZAXIS-3 series is equipped with a clean but powerful engine to comply with Stage III A, and Tier 3. An engine emission regulations effective in the European Union and U.S. EPA from 2006. Reduced particulate matter (PM) output and lower nitrogen oxide (NOx) levels.



A quieter machine

A number of features make this machine quieter. First, isochronous control of the engine speed means a restriction of engine speed during no-load and light-duty operation to suppress sound. Second, a fan with curved blades reduces air resistance and air flow noise. Third, a time-tested muffler suppresses engine noise significantly. This advanced low noise design complies with the 2000 / 14 / EC, Stage II, directive effective in the European Union from 2006.



A recyclable machine

Over 97 % of the ZAXIS-3 series can be recycled. All resin parts are marked to facilitate recycling. The machine is completely lead-free. The radiator and oil cooler are made from aluminium and all wires are lead-less. In addition, biodegradable hydraulic oil is available for jobsites where special environmental care is required.



Parts & Service

Over the years, we have gained experience in one of the most competitive service markets in the world - Japan. Using our know-how in dealing directly with customers, we have created a worldwide support system that is highly capable.



Machine includes optional equipment installed by customer.

Parts

HITACHI only offers genuine high quality parts. We guarantee that these parts have high performance and long life. We manage around 1 000 000 types of parts all around the world. They are designed and built to be the best match for your HITACHI equipment. HITACHI has a global parts distribution network that makes sure you get what you need as quickly as possible. We have more than 150 dealers worldwide who provide the closest support for your needs. In most cases, your dealer will have the replacement part that you require. If a dealer does not have a certain part, he can order it from four fully stocked parts depots located across the world. These distribution centres are all connected by an on-line system that gives them access to shared information on stocks, such as the number and type of available parts. The depots, which in turn are stocked by a parts centre in Japan, minimize delivery time and enable you to get your parts as efficiently and quickly as possible.



Service

Our goal is to “keep customer equipment at a maximum performance level”. To fulfil this goal, we have set more than 150 dealers all over the world. They have highly trained technicians, and provide a number of support programs.

HITACHI provides a unique extended warranty program called HITACHI Extended Life Program, or HELP.

To minimize downtime during troubleshooting, we developed a PDA based diagnostic system called “Dr.ZX”. To keep our customers’ equipment in top running shape, good service is indispensable. We believe personnel training is the key to providing the best service.

If you would like more information regarding parts and/or service, please ask your nearest HITACHI dealer. Not all programs and/or services are available in every market or region.

ENGINE

Model	Isuzu AI-4HK1X
Type	4-cycle water-cooled, direct injection
Aspiration	Turbocharged, intercooled
No. of cylinders	4
Rated power	
ISO 9249, net	122 kW (164 HP) at 2 000 min ⁻¹ (rpm)
EEC 80/1269, net...	122 kW (164 HP) at 2 000 min ⁻¹ (rpm)
SAE J1349, net	122 kW (164 HP) at 2 000 min ⁻¹ (rpm)
Maximum torque	655 N·m (67 kgf·m) at 1 500 min ⁻¹ (rpm)
Piston displacement ...	5.193 L
Bore and stroke	115 mm x 125 mm
Batteries	2 x 12 V / 150 Ah

HYDRAULIC SYSTEM

- Work mode selector
Digging mode / Attachment mode
 - Engine speed sensing system
- | | |
|---------------------|--|
| Main pumps | 2 variable displacement axial piston pumps |
| Maximum oil flow... | 2 x 212 L/min |
| Pilot pump | 1 gear pump |
| Maximum oil flow... | 30 L/min |

Hydraulic Motors

Travel	2 variable displacement axial piston motors
Swing	1 axial piston motor

Relief Valve Settings

Implement circuit	34.3 MPa (350 kgf/cm ²)
Swing circuit	34.3 MPa (350 kgf/cm ²)
Travel circuit	34.3 MPa (350 kgf/cm ²)
Pilot circuit	3.9 MPa (40 kgf/cm ²)
Power boost	36.3 MPa (370 kgf/cm ²)

Hydraulic Cylinders

High-strength piston rods and tubes. Cylinder cushion mechanisms provided in boom and arm cylinders to absorb shock at stroke ends.

Dimensions

	Quantity	Bore	Rod diameter
Boom	2	120 mm	85 mm
Arm	1	135 mm	95 mm
Bucket	1	115 mm	80 mm

Hydraulic Filters

Hydraulic circuits use high-quality hydraulic filters. A suction filter is incorporated in the suction line, and full-flow filters in the return line and swing/travel motor drain lines.

CONTROLS

Pilot controls. Hitachi's original shockless valve.

Implement levers	2
Travel levers with pedals	2

UPPERSTRUCTURE

Revolving Frame

Welded sturdy box construction, using heavy-gauge steel plates for ruggedness. D-section frame for resistance to deformation.

Swing Device

Axial piston motor with planetary reduction gear is bathed in oil. Swing circle is single-row, shear-type ball bearing with induction-hardened internal gear. Internal gear and pinion gear are immersed in lubricant. Swing parking brake is spring-set/hydraulic-released disc type.

Swing speed	13.3 min ⁻¹ (rpm)
-------------------	------------------------------

Operator's Cab

Independent spacious cab, 1 005 mm wide by 1 675 mm high, conforming to ISO* Standards. Reinforced glass windows on 4 sides for visibility. Front windows (upper and lower) can be opened. Reclining seat with armrests; adjustable with or without control levers.

* International Standardization Organization

UNDERCARRIAGE

Tracks

Tractor-type undercarriage. Welded track frame using selected materials. Side frame welded to track frame. Lubricated track rollers, idlers, and sprockets with floating seals.

Track shoes with triple grousers made of induction-hardened rolled alloy. Heat-treated connecting pins with dirt seals. Hydraulic (grease) track adjusters with shock-absorbing recoil springs.

Numbers of Rollers and Shoes on Each Side

Upper rollers	2
Lower rollers	8
Track shoes	49
Track guard	1

Travel Device

Each track driven by 2-speed axial piston motor through planetary reduction gear for counterrotation of the tracks. Sprockets are replaceable.

Parking brake is spring-set/hydraulic-released disc type. Travel shockless relief valve built in travel motor absorbs shocks when stopping travel.

Automatic transmission system: High-Low.

Travel speeds	High : 0 to 5.5 km/h
	Low : 0 to 3.5 km/h

Maximum traction force..	203 kN (20 700 kgf)
--------------------------	---------------------

Gradeability	35° (70 %) continuous
--------------------	-----------------------

WEIGHTS AND GROUND PRESSURE

Equipped with 5.68 m boom, 2.91 m arm and 0.80 m³ bucket (SAE, PCSA heaped).

Shoe type	Shoe width	Operating weight	Ground pressure
Triple grouser	600 mm	22 700 kg	47 kPa (0.48 kgf/cm ²)
	700 mm	23 100 kg	41 kPa (0.42 kgf/cm ²)
	800 mm	23 400 kg	36 kPa (0.37 kgf/cm ²)
	900 mm	23 900 kg	33 kPa (0.34 kgf/cm ²)

Weight of the basic machines [including counterweight and triple grouser shoes, excluding front-end attachment, fuel, hydraulic oil, engine oil and coolant etc.] are: 18 400 kg with 600 mm shoes

SERVICE REFILL CAPACITIES

Fuel tank	320.0 L
Engine coolant	26.0 L
Engine oil	23.0 L
Swing device	6.9 L
Travel device (each side)	6.8 L
Hydraulic system	230.0 L
Hydraulic oil tank	123.0 L

BACKHOE ATTACHMENTS

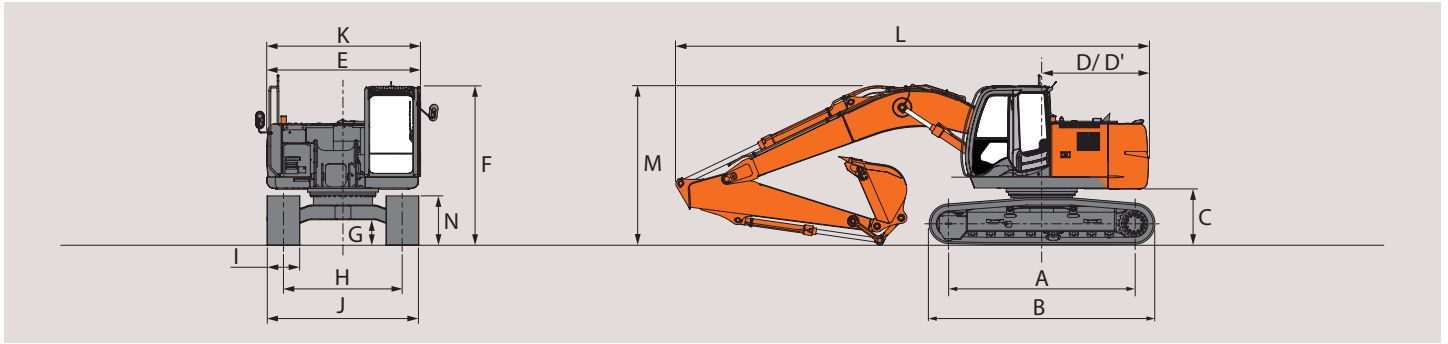
Boom and arms are of welded, box-section design. 5.68 m boom, 2.42 m and 2.91 m arms are available.

BUCKETS

Capacity SAE, PCSA heaped	Width without side cutters	Weight
0.51 m ³	720 mm	530 kg
0.80 m ³	1 030 mm	660 kg
0.91 m ³	1 150 mm	700 kg
1.10 m ³	1 330 mm	770 kg
1.20 m ³	1 450 mm	690 kg

SPECIFICATIONS

DIMENSIONS



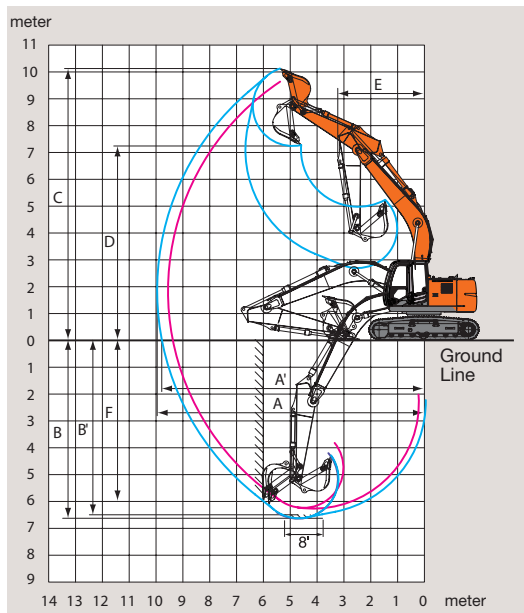
Unit: mm

	ZX225USRLC-3
A Distance between tumblers	3 660
B Undercarriage length	4 460
* C Counterweight clearance	1 010
D Rear-end swing radius	1 990
D' Rear-end length	1 990
E Overall width of upperstructure	2 800
F Overall height of cab	2 950
* G Min. ground clearance	450
H Track gauge	2 390
I Track shoe width	G 600
J Undercarriage width	2 990
K Overall width	2 990
L Overall length	
With 2.42 m arm	9 090
With 2.91 m arm	9 000
M Overall height of boom	
With 2.42 m arm	3 180
With 2.91 m arm	2 950
N Track height with triple grouser shoes	920

* Excluding track shoe lug G: Triple grouser shoe

WORKING RANGES

Unit: mm

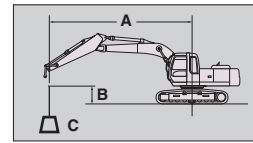


	ZX225USRLC-3	
Arm length	2.42 m	2.91 m
A Max. digging reach	9 430	9 920
A' Max. digging reach (on ground)	9 250	9 750
B Max. digging depth	6 180	6 670
B' Max. digging depth (8' level)	5 950	6 490
C Max. cutting height	9 670	10 040
D Max. dumping height	6 830	7 180
E Min. swing radius	3 280	3 180
F Max. vertical wall	5 300	5 990
Bucket digging force* ISO	151 kN (15 400 kgf)	
Bucket digging force* SAE : PCSA	129 kN (13 200 kgf)	
Arm crowd force* ISO	133 kN (13 600 kgf)	109 kN (11 100 kgf)
Arm crowd force* SAE : PCSA	124 kN (12 700 kgf)	102 kN (10 400 kgf)

Excluding track shoe lug * At power boost

Metric measure

- Notes: 1. Ratings are based on ISO 10567.
 2. Lifting capacity of the ZAXIS Series does not exceed 75% of tipping load with the machine on firm, level ground or 87% full hydraulic capacity.
 3. The load point is the center-line of the bucket pivot mounting pin on the arm.
 4. *Indicates load limited by hydraulic capacity.
 5. 0 m = Ground.



A: Load radius
 B: Load point height
 C: Lifting capacity

ZX225USRLC-3

Rating over-front

Rating over-side or 360 degrees

Unit : kg

Conditions	Load point height	Load radius												meter
		1.5 m		3.0 m		4.5 m		6.0 m		7.5 m		At max. reach		
Boom 5.68 m Arm 2.91 m Counterweight 6 650 kg Shoe 600 mm	6.0 m							*4 970	*4 970			*4 040	3 810	7.32
	4.5 m					*6 290	*6 290	*5 490	5 140	*5 130	3 630	*3 990	3 250	8.01
	3.0 m					*8 110	7 460	*6 320	4 900	*5 470	3 530	*4 100	2 980	8.37
	1.5 m					*9 760	6 980	*7 150	4 670	5 410	3 420	*4 380	2 880	8.45
	0 (Ground)			*4 860	*4 860	*10 600	6 720	7 370	4 510	5 320	3 330	4 650	2 930	8.25
	-1.5 m	*5 490	*5 490	*9 110	*9 110	*10 500	6 650	7 290	4 440	5 290	3 310	5 060	3 170	7.76
	-3.0 m	*9 980	*9 980	*13 700	13 000	*9 720	6 710	*7 210	4 480			*5 930	3 740	6.90
-4.5 m			*10 700	*10 700	*7 710	6 910					*5 930	5 220	5.50	

Conditions	Load point height	Load radius												meter
		1.5 m		3.0 m		4.5 m		6.0 m		7.5 m		At max. reach		
Boom 5.68 m Arm 2.42 m Counterweight 6 650 kg Shoe 600 mm	6.0 m							*5 470	5 220			*5 490	4 310	6.75
	4.5 m					*6 980	*6 980	*5 920	5 080			*5 520	3 600	7.49
	3.0 m					*8 760	7 320	*6 690	4 850	5 510	3 510	5 120	3 260	7.87
	1.5 m					*10 200	6 890	*7 420	4 640	5 410	3 420	4 970	3 150	7.95
	0 (Ground)					*10 700	6 700	7 370	4 510	5 340	3 350	5 110	3 220	7.74
	-1.5 m			*9 920	*9 920	*10 400	6 680	7 330	4 480			5 640	3 530	7.21
	-3.0 m			*12 600	*12 600	*9 240	6 790	*6 800	4 560			*6 340	4 300	6.28
-4.5 m					*6 530	*6 530					*6 120	*6 120	4.71	

STANDARD EQUIPMENT

Standard equipment may vary by country, so please consult your Hitachi dealer for details.

ENGINE

- H/P mode control
- E mode control
- 50 A alternator
- Dry-type air filter with evacuator valve (with air filter restriction switch for monitor)
- Cartridge-type engine oil filter
- Cartridge-type fuel double filters
- Air cleaner double filters
- Radiator, oil cooler and intercooler with dust protective net
- Radiator reserve tank
- Fan guard
- Isolation-mounted engine
- Auto-idle system
- Fuel cooler
- Electrical fuel feed pump
- Engine oil drain coupler

HYDRAULIC SYSTEM

- Work mode selector
- Power boost
- Auto power lift
- Control valve with main relief valve
- Extra port for control valve
- Suction filter
- Full-flow filter
- Pilot filter
- Swing dampener valve

CAB

- CRES II (Center pillar reinforced structure) cab
- OPG top guard fitted Level I (ISO10262) compliant cab
- All-weather sound suppressed steel cab
- Equipped with reinforced, tinted (green color) glass windows
- 4 fluid-filled elastic mounts
- Front windows on upper, lower and left side can be opened
- Intermittent windshield wipers
- Front window washer
- Adjustable reclining seat with adjustable armrests
- Footrest
- Electric double horn
- AM-FM radio with digital clock
- Seat belt
- Drink holder
- Cigarette lighter
- Ashtray
- Storage box
- Glove compartment
- Floor mat
- Short wrist control levers
- Pilot control shut-off lever
- Engine shut-off switch
- Auto control air conditioner
- Transparent roof with slide curtain
- Mechanical suspension seat with heater

MONITOR SYSTEM

- Display of meters: water temperature, hour, fuel rate, clock
- Other displays: work mode, auto-idle, glow, rearview monitor, operating conditions, etc
- Alarms: overheat, engine warning, engine oil pressure, alternator, minimum fuel level, hydraulic filter restriction, air filter restriction, work mode, overload, etc
- Alarm buzzers: overheat, engine oil pressure, overload

LIGHTS

- 2 working lights

UPPERSTRUCTURE

- Undercover
- 6 650 kg counterweight
- Fuel level float
- Electric fuel refilling pump with auto stop
- Rear view camera
- 150 Ah batteries
- Hydraulic oil level gauge
- Tool box
- Rear view mirror (right & left side)
- Swing parking brake

UNDERCARRIAGE

- Travel parking brake
- Travel motor covers
- 1 track guard (each side) and hydraulic track adjuster
- Bolt-on sprocket
- Upper and lower rollers
- Reinforced track links with pin seals
- 4 tie down hooks

FRONT ATTACHMENTS

- HN bushing
- WC (tungsten-carbide) thermal spraying
- Reinforced resin thrust plate
- Flanged pin
- Casted bucket link A
- Centralized lubrication system
- Dirt seal on all bucket pins

MISCELLANEOUS

- Standard tool kit
- Lockable machine covers
- Lockable fuel refilling cap
- Skid-resistant tapes, plates and handrails
- Travel direction mark on track frame
- Onboard information controller
- Theft deterrent system

OPTIONAL EQUIPMENT

Optional equipment may vary by country, so please consult your Hitachi dealer for details.

CAB

- Laminated round glass window
- OPG top guard, level II
- Air suspension seat with heater
- Rain guard
- Sun visor
- 12 V power source

LIGHTS

- Additional cab roof front lights
- Additional cab roof rear lights
- Rotating lamp
- Additional boom light with cover

UNDERCARRIAGE

- 2 track guards
- Track undercover

ATTACHMENTS

- Hammer and crusher piping
- Parts for hammer and crusher
- 2 pump combined flow assist piping
- Additional pump (30 L/min)
- Pilot accumulator
- High mesh full flow filter with restriction indicator
- Welded bucket link A with welded hook

OTHERS

- Hose rupture valve
- Overload warning device
- Pre-cleaner
- Biodegradable oil

These specifications are subject to change without notice.
Illustrations and photos show the standard models, and may or may not include optional equipment, accessories, and all standard equipment with some differences in colour and features.
Before use, read and understand the Operator's Manual for proper operation.